

ENGLISH

Thank you for choosing VAPORESSO product. Please read this instruction carefully before use to ensure a perfect experience. If there is any additional requirement about this product, please consult the local agent or contact us through our website: www.vapresso.com

ENLARGED VIEW

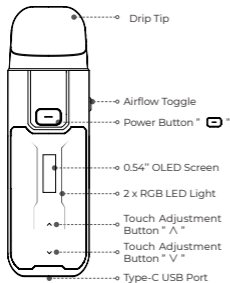


FIGURE 1

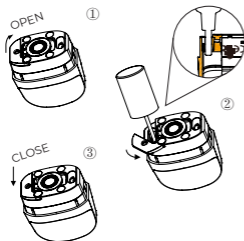


FIGURE 2

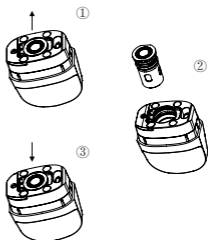


FIGURE 3

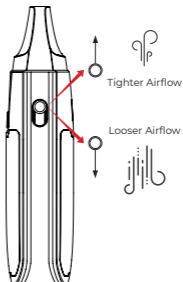
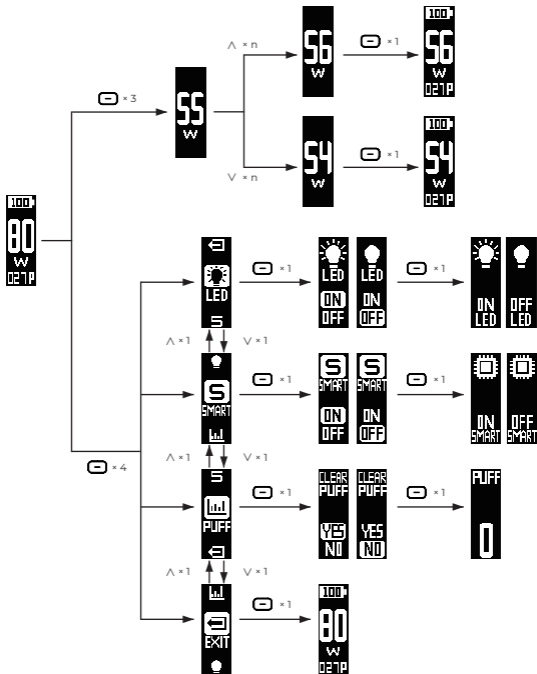


FIGURE 4



SPECIFICATION

Dimensions: 106.5 x 32.1 x 26 mm
POD Capacity: 5ml/2ml(TPD)
Compatible POD:
LUXE X 0.4Ω MESH POD
LUXE X 0.6Ω MESH POD
LUXE X 0.8Ω MESH POD
LUXE XR DTL POD
LUXE XR RDL POD
LUXE XR MTL POD
Battery Capacity: 2800mAh
Output Power: 80W
Charging Current: DC 5V/2A, Type-C
Display: 0.54" OLED Screen, 2 * RGB LED Light

PACKING LIST

1 x VAPORESSO LUXE XR MAX Battery
1 x VAPORESSO LUXE XR POD (DTL)
1 x VAPORESSO LUXE XR POD (RDL)
1 x GTX 0.2Ω MESH COIL
1 x GTX 0.4Ω MESH COIL
1 x TYPE-C Cable
1 x User Manual & Warranty Card
1 x Reminder Card

USE INSTRUCTIONS

1. Fill E-liquid

- Take out the used POD from the battery and pull out the silicone plug from the bottom of the POD;
- Fill e-liquid through the hole
- Put the silicone plug back in place firmly after filling is finished.
- Please wait 5 minutes for the e-liquid to soak into the coil completely.

* Refer to the figure 1 above.

2. Replace the Coil

- Take out the POD from the battery;
- Pull out the used coil from the POD;
- Install a new coil to the POD;
- Reattach the POD into place.

* Refer to the figure 2 above.

3. Adjust the Airflow

There is an airflow control toggle on the side of the battery. Adjust the toggle according to your vaping habits for different airflow effects.

* Refer to the figure 3 above.

4. Power on/off the Device

Click the power button 5 times in 2 seconds to power on or off the device.

5. Start Vaping

Press the power button to enjoy extraordinary vaping experience.

6. Setting

1) Main interface

When the screen is activated, the screen will display the battery level, wattage and puff number from top to bottom when not vaping, the puff number will turn to vaping time during vaping.

2) Adjust wattage

Click the power button 3 times in 2 seconds to unlock the touch adjustment button then you can adjust the wattage.

Click the power button 1 time to confirm the wattage you choose and back to the main interface.

3) Recommended Power Adjustment

LUXE XR MAX Kit is using the GTX coil platform, and the suggested power need to be noticed before start vaping.

| GTX MESH COIL | GTX 0.2Ω MESH | GTX 0.4Ω MESH |
|-------------------|---------------|---------------|
| Suggested Wattage | 45-60W | 26-32W |

4) Entering the menu

Click the power button 4 times in 2 seconds to enter the menu, press touch button "A" or "V" to switch between different functions settings, click the power button 1 time to confirm the function to set, then you can:

- ① turn on or off the led light
 - ② turn on or off the smart mode
- *Smart mode: When this function is turned on and a new POD is installed, the system will adjust to the best power, and confine the power in the recommended range.
- ③ clear the puff number
 - ④ back to the main interface
- * Refer to the figure 4 above.

7. Battery Level

| LED | Battery Status |
|---------------|----------------|
| Green-cyan | 60%-100% |
| Cyan-blue | 30%-60% |
| Blue-rose red | 0%-30% |

8. Charge the Battery

After connecting the Type-C cable to the battery, the battery indicator and remaining charging time will be showed on the screen.

9. Safety Mode

If the vaping time over 10 seconds, the battery level LED light quick flash 5 times and the device will be powered off automatically, press power button 5 times constantly to power on again.

PROTECTIONS

| Protections | Situation | Indicator |
|-----------------------------|---|--|
| Low Resistant Protection | The device detects an ultra-low resistance. | LED light quick Flash 5 times in Red → Stop Output |
| Short Circuit Protection | The device detects a short circuit. | LED light quick Flash 5 times in Red → Stop Output |
| No Load Protection | The device does not detect an atomizer. | LED light quick Flash 5 times in Red → Stop Output |
| High Resistance Protection | The device detect an ultra-high resistance. | LED light quick Flash 5 times in Red → Stop Output |
| Low Voltage Protection | The battery voltage drops too low. | LED light quick Flash 3 times in Red → Stop Output |
| High Temperature Protection | The PCBA temperature rise exceeds 75°C. | LED light Flash 4 times in Red → Stop Output |
| Over Time Protection | The vaping time exceeds 10S. | LED light quick Flash 5 times in Current Color → Stop Output |

CAUTIONS

1. Please turn off the device when it is not in use.
2. Do not leave the charging device unattended.
3. Do not drop, throw or abuse your device, which may cause damage.
4. Please use a standard USB output charger with proper charging current and voltage range.
5. Keep away from the water or any flammable gas, liquid.

6. Do not expose the device to direct sunlight, dust, moisture or mechanical shock.

7. Do not expose the device to extreme temperature.

(Recommended temperature range: -10~60°C / 14~140 °F using and -10~45°C / 14~113 °F while storing).

8. EEE Recycling: the product should not be treated as household waste, instead, it should be handed over to the applicable collection point for the recycling of electrical and electronic equipment.

9. Battery Recycling: the product battery should not be treated as household waste, instead, it should be handed over to the applicable used battery collection point for recycling.

10. Only have your device repaired by VAPORESSO. Do not attempt to repair it by yourself as damage or personal injury may occur.

11. Please keep the pins at the connection between the battery and the pod clean to ensure the best performance of the device.

WARNINGS

This refillable electronic cigarette is intended for use with compatible e-liquid, which may contain nicotine. Nicotine is an addictive substance and it is not suitable or recommended to use in following cases:

1. This device is not suitable for:

- Persons under the legal smoking age.
- Persons experiencing heart disease, stomach or duodenal ulcers, liver or kidney problems, long-term throat disease or difficult breathing due to bronchitis, emphysema or asthma.
- Persons with an overactive thyroid gland or experiencing phaeochromocytoma (a tumour of the adrenal gland that can effect blood pressure).
- Persons taking certain medications like Theophylline, Ropinirole or Clozapine and etc.

2. This device is not recommended for:

- Non-smokers
- Pregnant or breastfeeding women

3. You may experience the following results if you use nicotine containing e-liquid with this product. If it happens, please consult a healthcare professional and show them this leaflet if possible:

Feeling faint / Nausea / Dizziness / Headache / Coughing / Irritation of the mouth or throat / Stomach discomfort / Hiccups / Nasal congestion / Vomition / Chest palpitations / pain or an irregular heart rate.

This device should not be used by persons under the legal smoking age.